

**INDUSTRY LEADING!  
SINGLE-ENDED CONTROLLED 1080P  
ULTRA-LONGTRANSPARENT MODULE**

SERIES M-PRO



Single-ended Control, 1080P  
Ultra-long Module



Extra-large Size, Three-sided  
Frameless Transparent Display



Spatial Floating Image



Simple Installation and  
Maintenance



Ultra-high Transparency



HD Display Quality



## Series M-Pro

Single-ended control 1080 pixel ultra-long module, with a pixel pitch of 3.91 mm, the module can reach a maximum length of 4.22 meters; with a pixel pitch of 6.25 mm, the module can reach a maximum length of 6.75 meters. The perfect design of the module with high transparency and high temperature resistance can achieve a visual transparency of more than 90%.

Model	M3 Pro	M6 Pro
Display Dimension (mm) (w*h)	250x4220.25	250x6750
Profile Dimension (mm) (w*h)	250x4293.6	250x6814.5
Resolution (dot) (w*h)	64x1080	40x1080

## Product Advantages



### Single-ended control 1080P ultra-long module

The maximum length of the P3.91 module is 4.22m, and the P6.25 module can extend up to 6.75m



### Extra-large size, three-sided frameless transparent display

The transparent display occupies more than 95% of the whole machine



### HD Display Quality

Horizontal and vertical pixels equal spacing, light/driver integrated, grayscale 16bit



### Simple Installation and Maintenance

Simple hanging up installation enables transparent displays to be integrated anywhere



### Spatial Floating Image

3D holography, spatial floating image



### Ultra-high Transparency

No joint structure, full screen transparent invisible



### Ultra-light 5~6kg/sqm

Light weight design, only 6kg/sqm

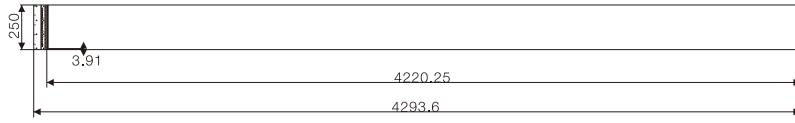


### Thin to 1.8mm

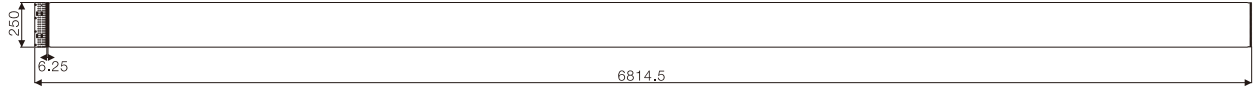
Module thickness less than 2mm, lightweight and invisible

# Series M-Pro Dimension Diagram

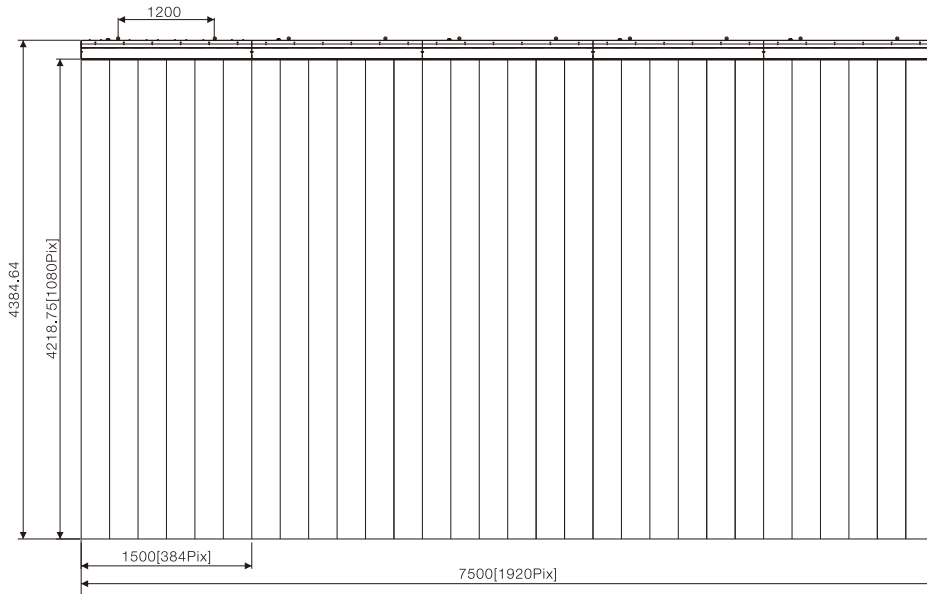
## M3 Pro Module Dimension



## M6 Pro Module Dimension

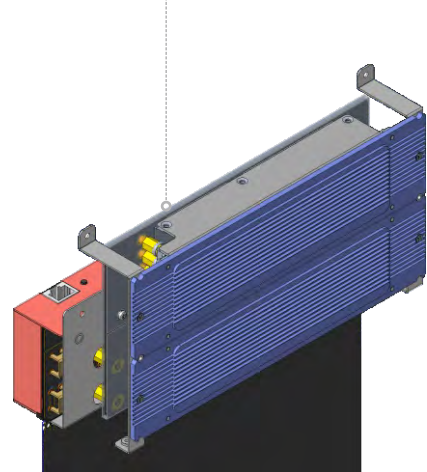


## Module Assembly Diagram

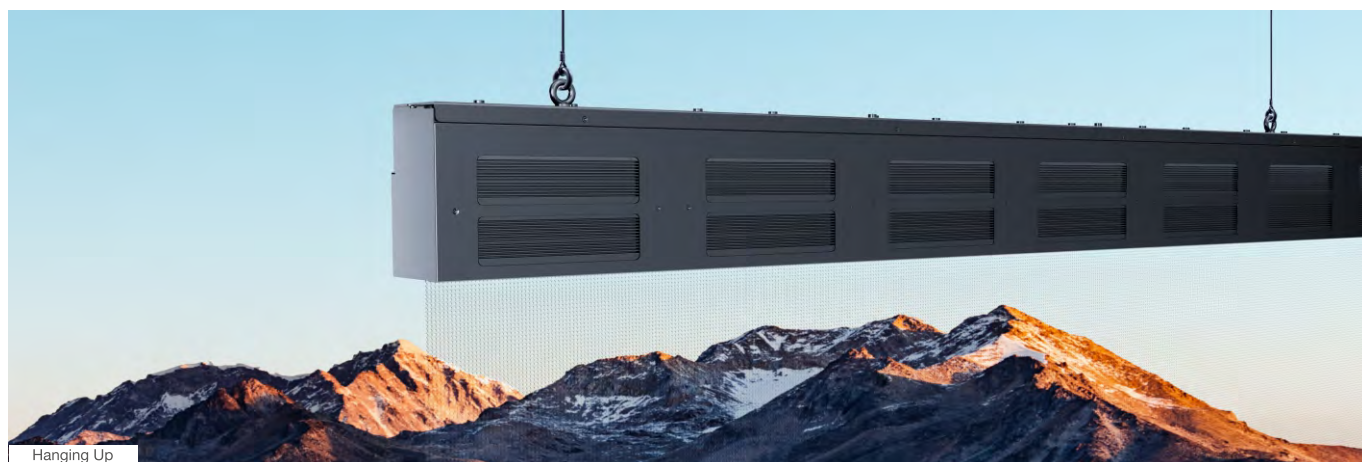


## M Pro Product Hardware Architecture Diagram

Rear Cover    Crossbeam Upper Cover    Crossbeam Frame    Front Cover    Module Backside Schematic



## Installation



## Specifications

Model	M3 Pro	M6 Pro
Display Dimension (mm) (w*h)	250x4220.25	250x6750
Profile Dimension (mm) (w*h)	250x4293.6	250x6814.5
Resolution (dot) (w*h)	64x1080	40x1080
LED Specification	1515	2121
Pixel Pitch (mm)(horizontal / vertical)	3.91-3.91	6.25-6.25
Pixel Density(dot/m <sup>2</sup> )	65536	25600
Transparency Rate	95%	95%
Brightness(cd/m <sup>2</sup> )	≥2000(Black Body)	≥2500(White Body)
Maximum Power Consumption (w/m <sup>2</sup> )	660	535
Average Power Consumption (w/m <sup>2</sup> )	250.8	204
Weight(Kg/pcs)	2.7	3.6
Color Temperature(K)	3000~10000	3000~10000
Scanning Mode	Static Driving (Single Pixel Single Control)	Static Driving (Single Pixel Single Control)
Frame Rate(Hz)	60~120	60~120
Lifespan	≥100,000.00 hours	≥100,000.00 hours
Pixel Configuration	16bit	16bit
Input Voltage	AC100~240V 50/60 Hz	AC100~240V 50/60 Hz
Working Voltage for Module	DC 4.2V ± 0.2V	DC 4.2V ± 0.2V
Working Temperature	Temperature -20°C~50°C	Temperature -20°C~50°C
Working Humidity	Humidity: 20% -85% (Without Condensation)	Humidity: 20% -85% (Without Condensation)
Storage Temperature	Temperature -20°C~60°C	Temperature -20°C~60°C
Storage Humidity	Humidity: 10% -85% (Without Condensation)	Humidity: 10% -85% (Without Condensation)
Protetion Degree	IP 20	IP 20
Installation Method	Hanging Up	Hanging Up
Installation Environment	Indoor	Indoor

Shenzhen MUXWAVE Technology Co., Ltd.

Office Add: 1st Floor, Building G, Guancheng Low Carbon Industrial Park,  
Shangcun Community, Gongming Street, Guangming District, Shenzhen, P.R.China

☎ WhatsApp +8618124175690  
info@muxwave.com www.muxwave.com

